



# PIPE LIFT™

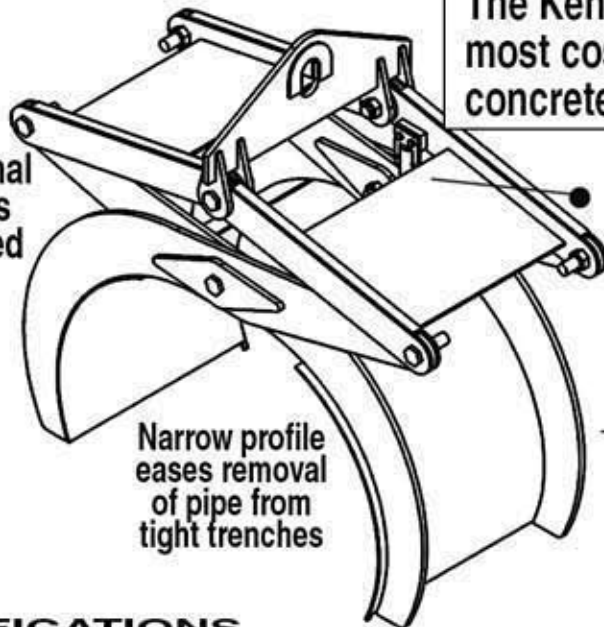
170 STATE ROUTE 271 - LIGONIER, PA 15658

TOLL FREE 1-800-653-6069

FAX 724-238-3187 www.kenco.com

The Kenco Pipe Lift is the safest, most cost-effective way to move concrete, metal, or plastic pipe.

No additional hydraulics are required



Narrow profile eases removal of pipe from tight trenches

• FULLY AUTOMATIC ACTUATOR for hands-free operation, or a semi-automatic model is also available

• UNIQUE WIDE SCISSOR-GRIP enables stable lift, even when pipe is gripped off-center.

## SPECIFICATIONS

| model                            | weight<br>LBS | capacity<br>LBS | Inside diameter |     |     |
|----------------------------------|---------------|-----------------|-----------------|-----|-----|
| <b>30 INCH WIDTH, TWO TINE</b>   |               |                 |                 |     |     |
| PL1500                           | 160           | 1500            | DI 4"           | 6"  | 8"  |
| PL2000                           | 180           | 2000            | DI 8"           | 10" | 12" |
| PL2150                           | 230           | 2150            | DI 10"          | 12" | 14" |
| PL2250                           | 330           | 2250            | DI 12"          | 14" | 16" |
| PL2250                           |               | 2250            | RCP 12"         |     |     |
| PL2500                           | 380           | 2500            | DI 14"          | 16" |     |
| PL2500                           |               |                 | RCP 12"         | 15" | 18" |
| PL2750                           | 410           | 2750            | DI 18"          | 24" |     |
| PL2750                           |               |                 | RCP 15"         | 18" |     |
| PL3000                           | 530           | 3000            | DI 24"          | 30" |     |
| PL3000                           |               |                 | RCP 18"         | 21" | 24" |
| PL3500                           | 580           | 3500            | DI 30"          | 36" |     |
| PL3500                           |               |                 | RCP 24"         | 27" | 30" |
| PL4500                           | 1250          | 4500            | DI 36"          | 42" |     |
| PL4500                           |               |                 | RCP 30"         | 36" |     |
| <b>36 INCH WIDTH, TWO TINE</b>   |               |                 |                 |     |     |
| PL7000                           | 1500          | 7000            | RCP 36"         | 42" |     |
| PL8500                           | 1700          | 8500            | RCP 42"         | 48" |     |
| <b>42 INCH WIDTH, TWO TINE</b>   |               |                 |                 |     |     |
| PL11000                          | 2100          | 11000           | RCP 48"         | 54" |     |
| PL12500                          | 2400          | 12500           | RCP 54"         | 60" |     |
| PL14000                          | 2800          | 14000           | RCP 60"         | 66" |     |
| <b>38 INCH WIDTH, THREE TINE</b> |               |                 |                 |     |     |
| PL17000                          | 3500          | 17000           | RCP 66"         | 72" |     |
| PL22000                          | 4000          | 22000           | RCP 78"         | 84" |     |

NOTE: DI sizes above are identical to PVC and Steel

# MOVE PIPE SAFELY AND QUICKLY



Use your smartphone to scan here and go straight to our Kenco product page