



# PIPE HOOK

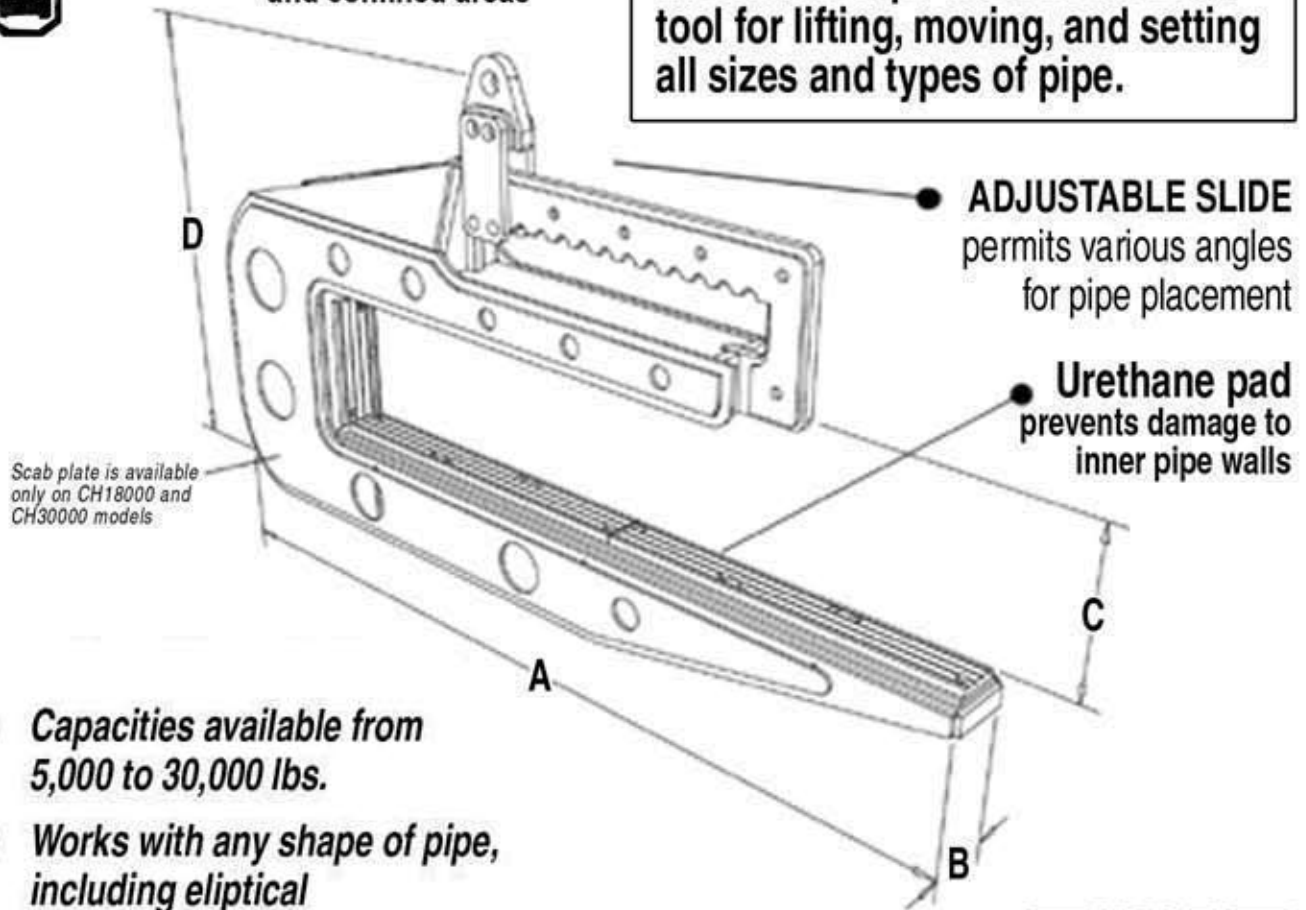
170 STATE ROUTE 271 - LIGONIER, PA 15658

TOLL FREE 1-800-653-6069

FAX 724-238-3187 www.kenco.com

Designed for trench boxes  
and confined areas

The Kenco Pipe Hook is the ideal  
tool for lifting, moving, and setting  
all sizes and types of pipe.



- Capacities available from 5,000 to 30,000 lbs.
- Works with any shape of pipe, including elliptical
- Custom sizes available for pipe up to 20 feet in length

Use your smartphone to scan here and go straight to our Kenco product page



## SPECIFICATIONS

model	weight LBS	capacity LBS	A	B	C	D
PH9000	700	9000	89.0000	4.7500	15.1875	49.1875
PH12000	920	12000	89.0000	6.0000	15.1875	49.1875
PH18000	1120	18000	89.0000	6.0000	15.1875	49.1875
PH30000	1500	30000	92.2500	6.0000	17.4375	58.3125

Larger custom sizes and capacities are also available