



PIPE HOOK

170 STATE ROUTE 271 - LIGONIER, PA 15658

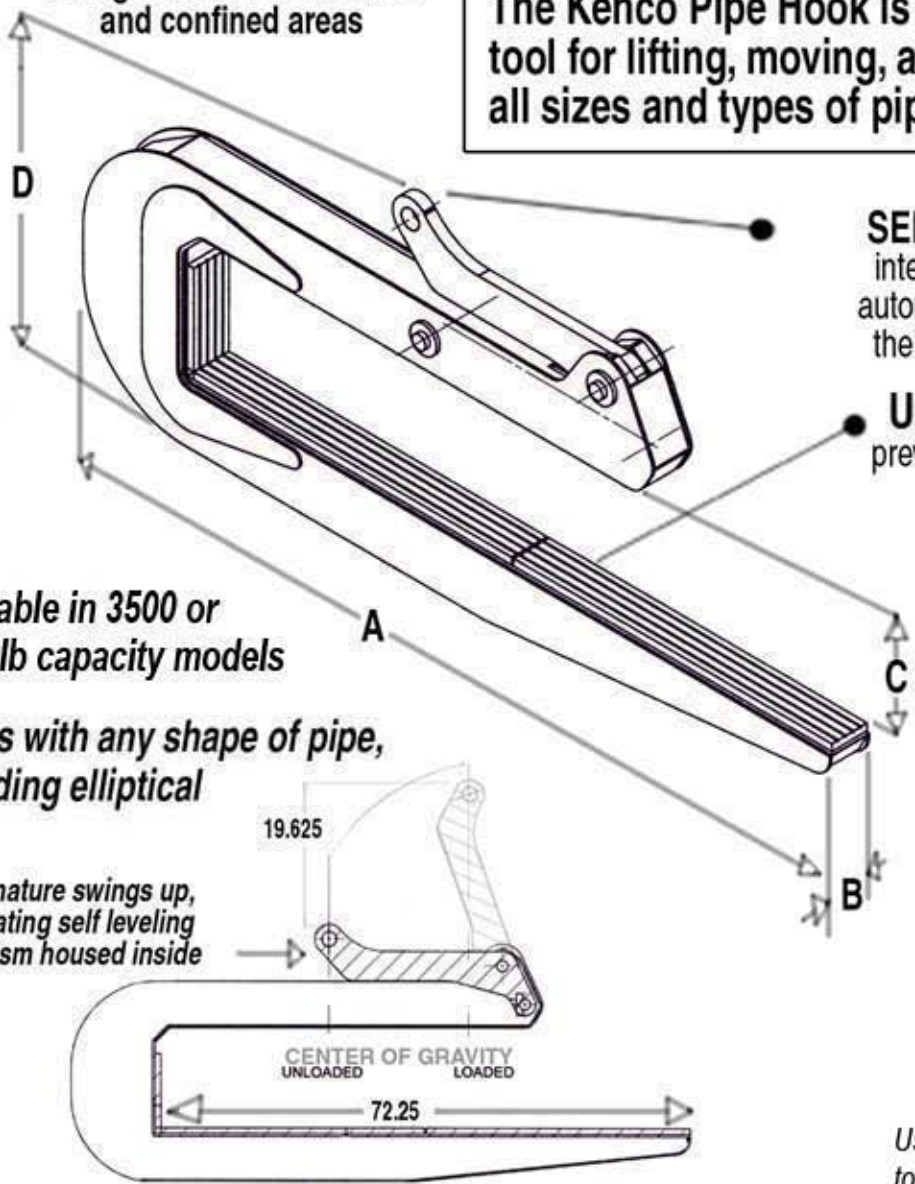
TOLL FREE 1-800-653-6069

FAX 724-238-3187 www.kenco.com

Designed for trench boxes and confined areas

The Kenco Pipe Hook is the ideal tool for lifting, moving, and setting all sizes and types of pipe.

The only Self-Leveling Model in the industry



SELF LEVELING
internal mechanism automatically adjusts the center of gravity

Urethane pad
prevents damage to inner pipe walls

- Available in 3500 or 9000 lb capacity models
- Works with any shape of pipe, including elliptical

armature swings up, activating self leveling mechanism housed inside

CENTER OF GRAVITY UNLOADED LOADED

72.25

SPECIFICATIONS

model	weight LBS	capacity LBS	A	B	C	D
measurements are shown in inches						
PH3500	350	3500	84.5000	4.5000	13.5000	32.8750
PH9000	520	9000	84.5000	4.5000	13.5000	32.8750

Use your smartphone to scan here and go straight to our Kenco product page

