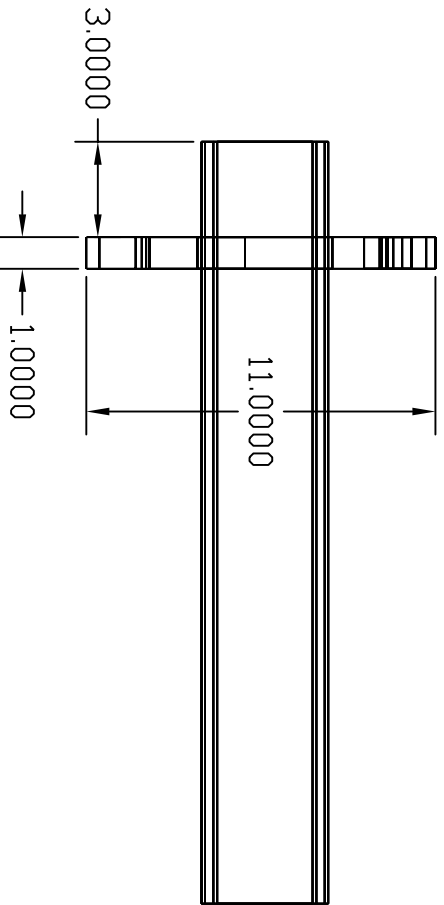
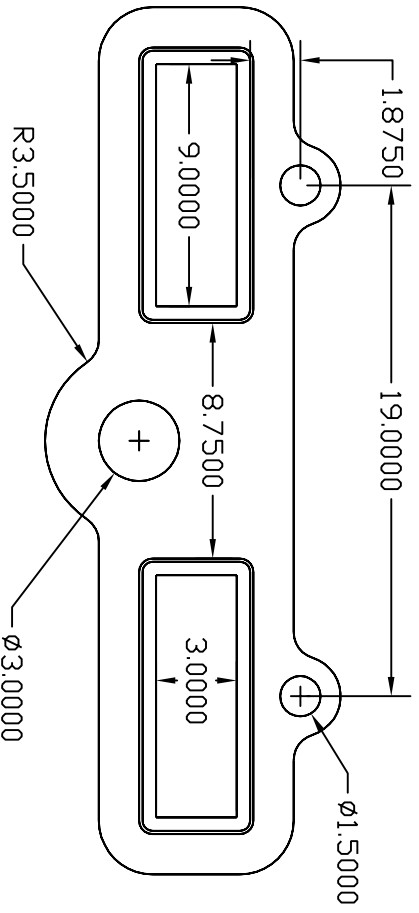
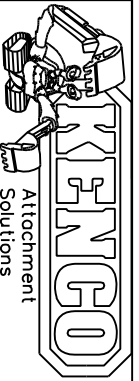


LIFT PLATE MAT. : ASTM A514



DRAWN BY
G.CVEYKUS
DATE
1/21/2003



KENGO CORPORATION
170 STATE ROUTE 271, LIGONIER, PA 15658
www.kengo.com
1-888-4-ATTACH
THE INFORMATION PROVIDED WITHIN THIS DRAWING IS THE
PROPERTY OF KENGO CORPORATION. ANY REPRODUCTION,
TRANSMITTAL OR USAGE OF ANY KIND IS PROHIBITED
WITHOUT WRITTEN PERMISSION.

WEIGHT: APP. 230 LBS.
CAPACITY: 12,000 LBS
MAX. PRESSURE: N/A PSI

DESCRIPTION
FB12000

PART NO.
XXXXXXX
NEXT ASSY
N/A