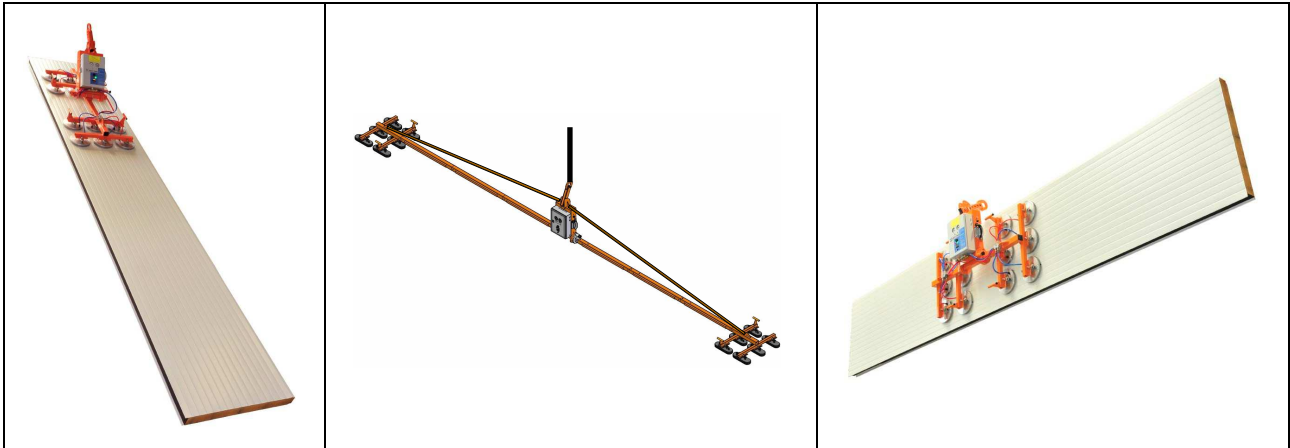


# OKTOPUS® KS-B

For the installation of roofing and cladding panels



## Dual circuit system

For the use at construction sites in accordance with DIN EN 13155.

## Field of application:

Suitable for horizontal and vertical installation of cladding panels as well as for roofing panels up to a length of approx. 16 m (with installed extensions).

## Hoist

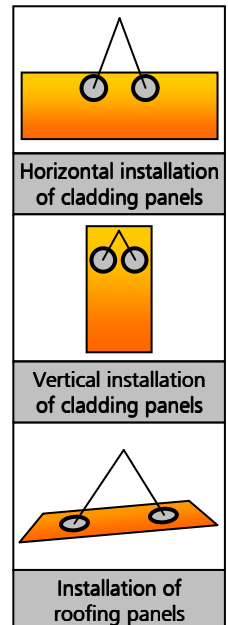
For example truck-mounted crane, tower crane

## Suspension

Adjustable crane eyelet at the vacuum unit

## Handable materials

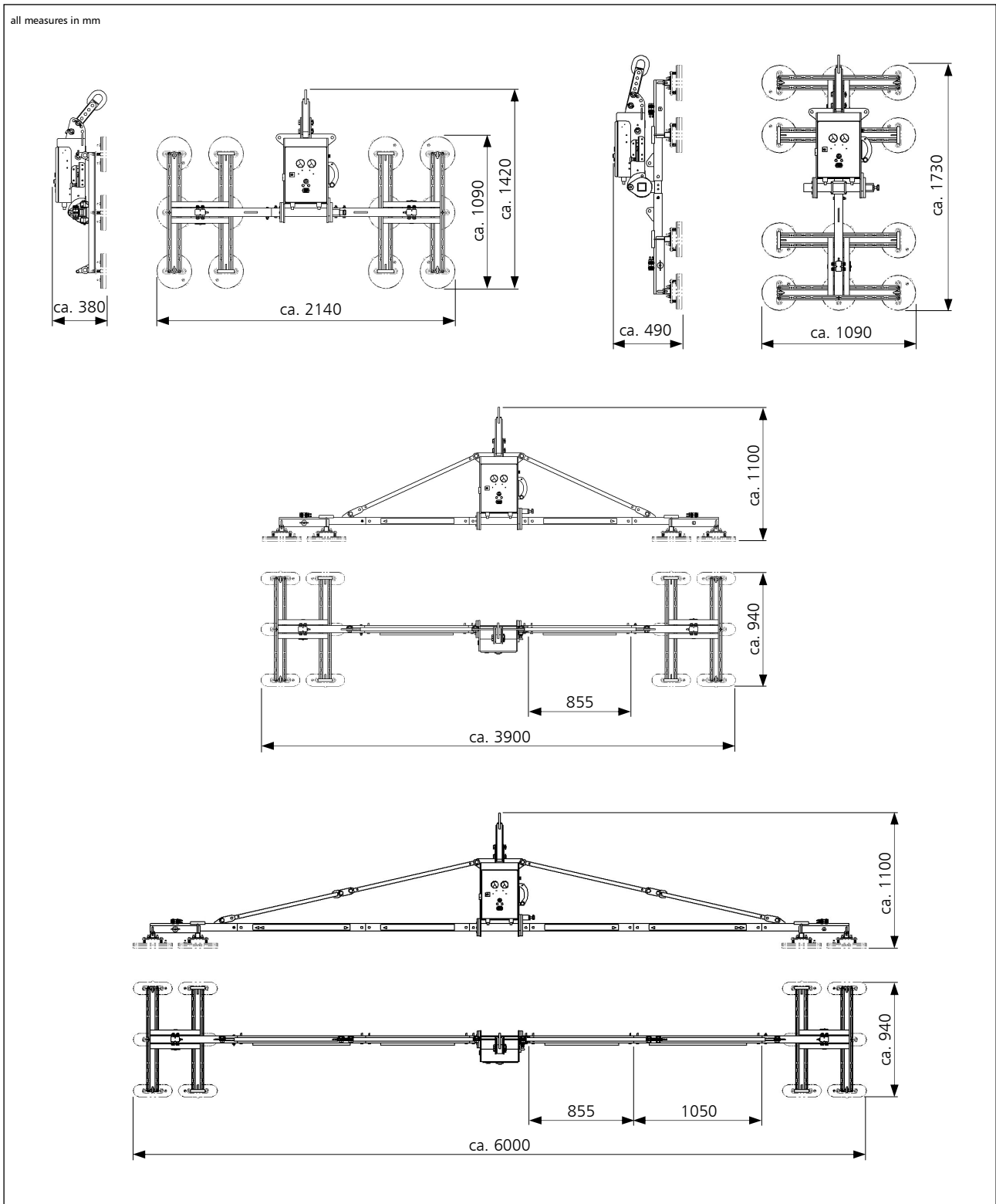
The approved round and oval suction cups of Wirth enable to transport and to assemble almost all customary sandwich panels and trapezoidal sheet metals with the OKTOPUS® KS-B. The construction elements to be processed with must be airtight on the suction areas, have a clean and even surface and may not be covered with a protective film.



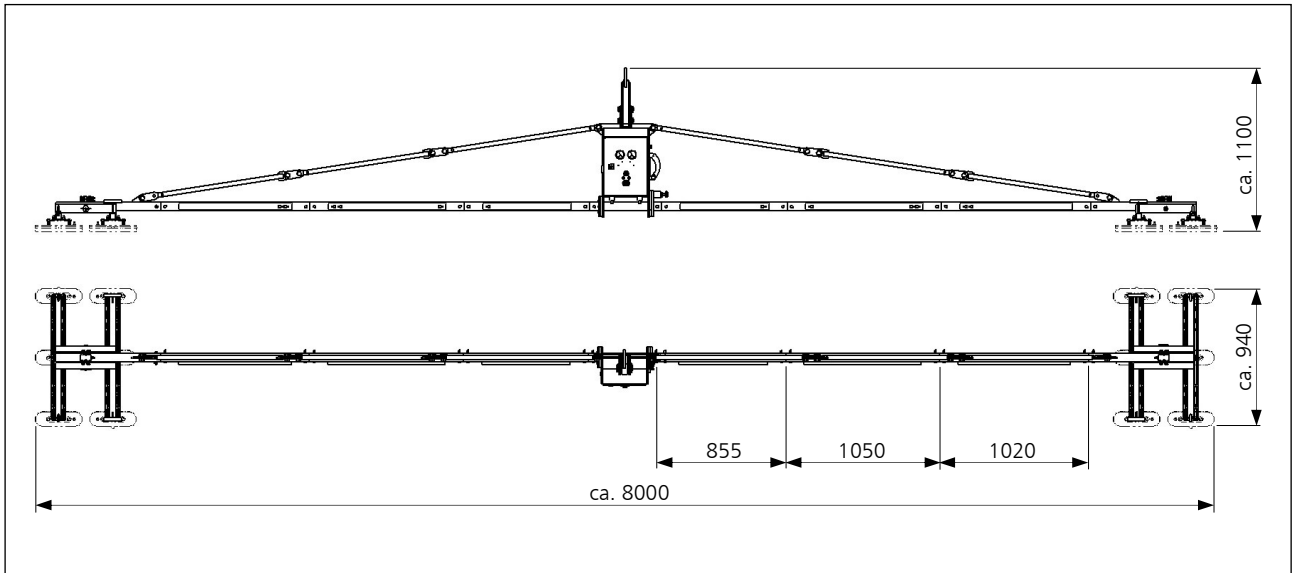
## Application data

Safe Working Load:	Type of suction cup	Safe Working Load depends on the type of suction cup and inclination ( $\alpha$ ) of the panel to be installed	
		$0^\circ \leq \alpha \leq 10^\circ$	$10^\circ < \alpha \leq 90^\circ$
		8 Round suction cups ( $\varnothing$ 250 mm)	350 kg
12 Round suction cups ( $\varnothing$ 250 mm)	400 kg	400 kg	
8 Oval suction cups (100 mm x 320 mm)	200 kg	130 kg	
12 Oval suction cups (100 mm x 320 mm)	300 kg	200 kg	
16 Oval suction cups (100 mm x 320 mm)	400 kg	260 kg	

Weight of device:	depending on configuration 145 to 250 kg
Controls:	control panel located directly at the device
Power supply:	rechargeable battery, 24 V
Vacuum generation:	vacuum pump
Suction cups:	Wirth standard suction cups - round suction cup (Ø 250 mm) or - oval suction cup (100 mm x 320 mm)
Optional accessories:	- safety belts - transport box



Subject to change.



Subject to change.